



flexmedia™ R-Series

AFM011 Generator Modules



Alfamation has designed new AM/FM/RDS generator in 2 versions.

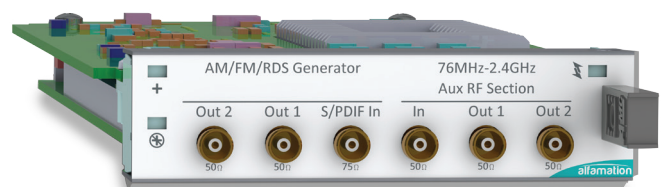
1. AFM011B - AM/FM/RDS
2. AFM011F - AM/FM/RDS & RF Distribution section

Both versions accept a modulating signal in S/P DIF format.

Alternatively test tones can be internally generated.

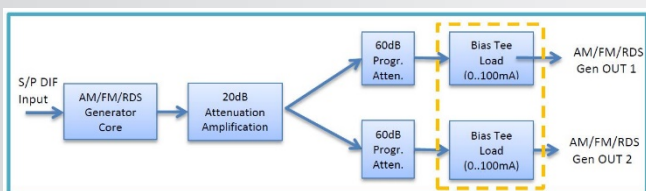
KEY FEATURES AND BENEFITS

- AFM011 is versatile AM/FM/RDS generator that can be used to quickly setup the test of an AM/FM receiver
- Daisy-chain configuration with more than one box is possible as well
- AFM011 Generator can work both in stand-alone mode and into MicroTCA rack (image below)





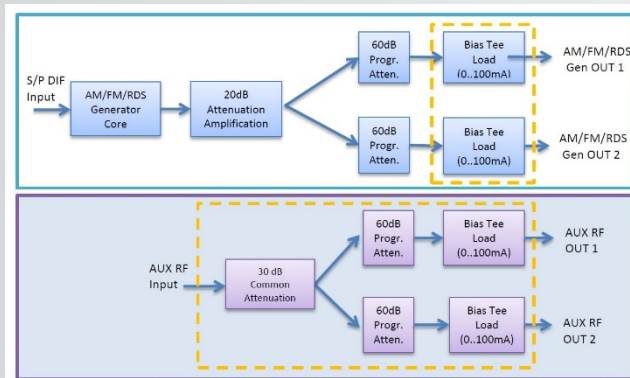
AFM011B AM/FM/RDS



Two outputs are available with RF levels independently configurable.

Output signals are split from the same source.

AFM011F AM/FM/RDS/AUX



On the front panel of the AFM011 AMFM-RDS-AUX Generator is present a service input (Aux RF In) that accepts a RF signal that can be split in the two adjustable level service outputs (Aux RF Outputs).

Variable load levels (Bias Tee Load) can be configured independently on all outputs.

Additional functions.



Via Cadore, 21
20851 Lissone (MB) - Italy
Phone: +39-039-243-51
Fax: +39-039-245-9980
www.alfamationglobal.com
info@alfamationglobal.com

Alfamation S.p.A. - All right reserved. Printed in Italy.
Copyright © 2017.

